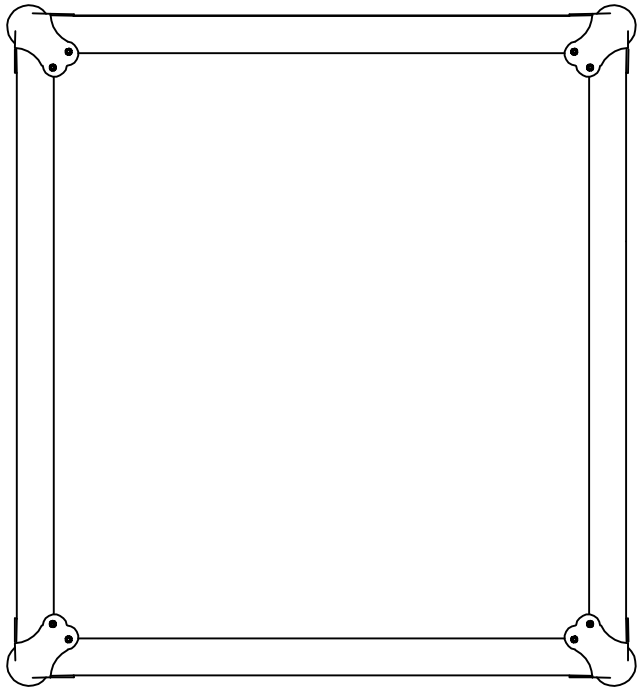
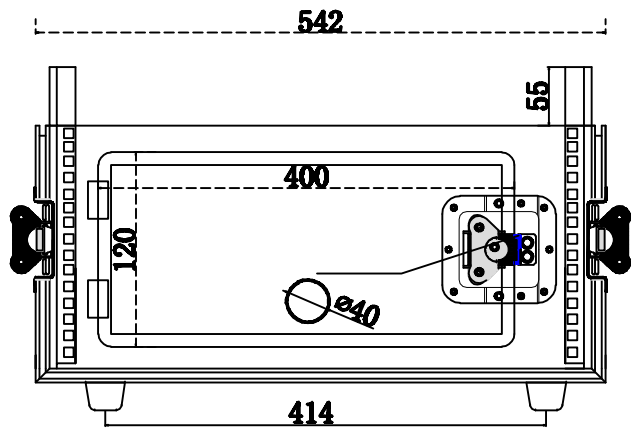
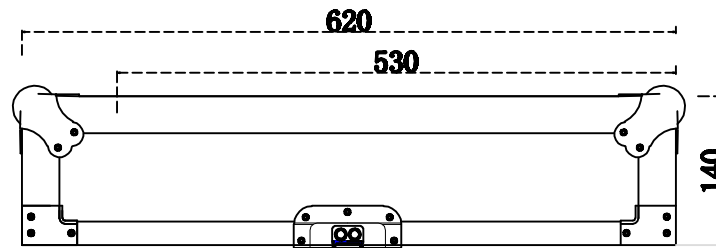


PRODJUSER

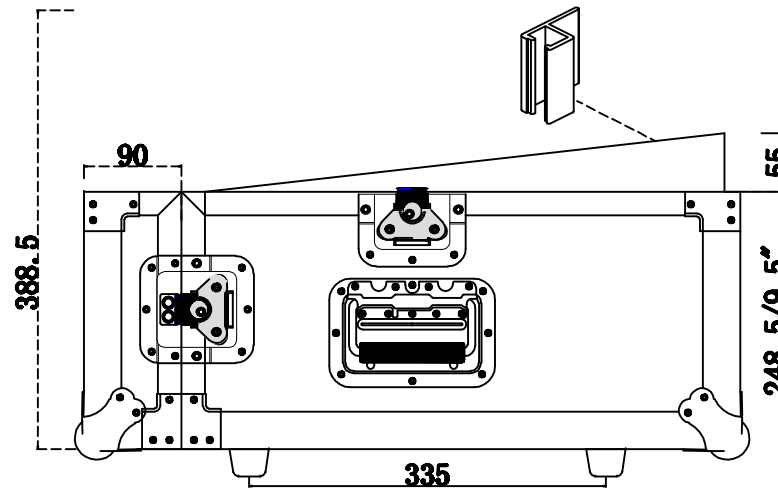
Slant11-2 MKII



Top View



Front View



Side View