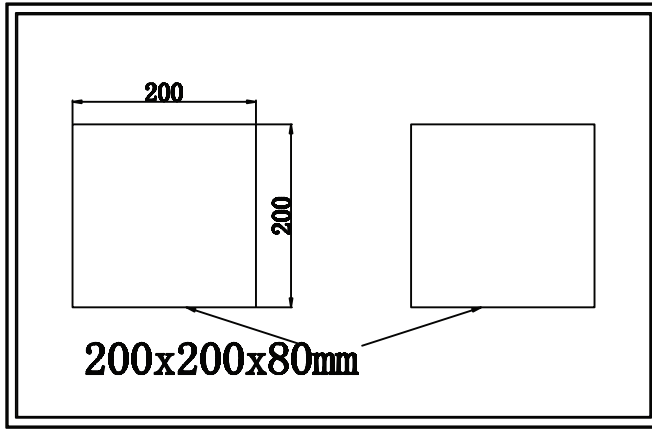
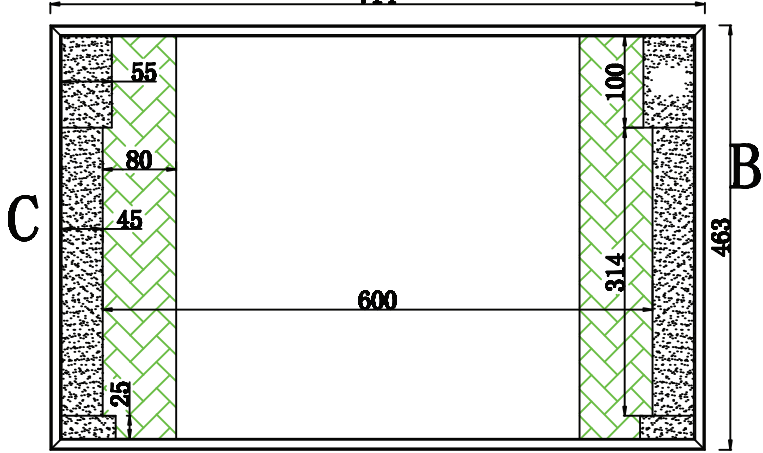
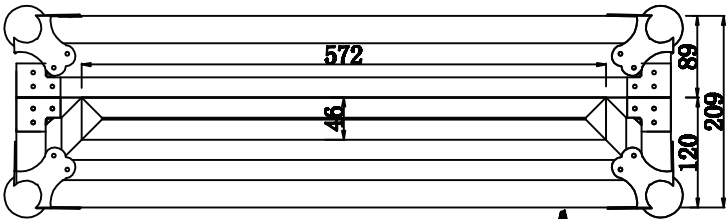


D 714



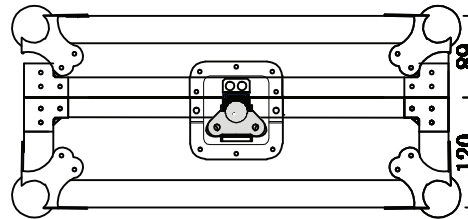
Top View

A



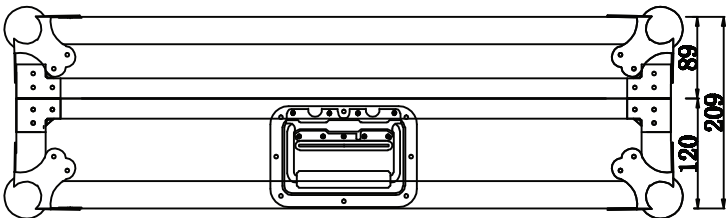
Front View

A



Left View

B/C



Back View

D

PRODJUSER

NS6 Case