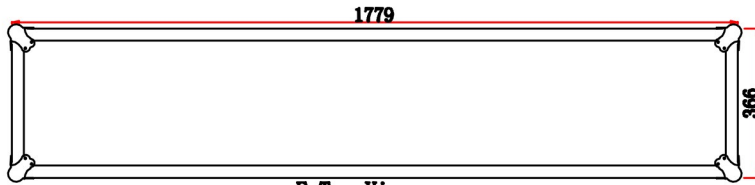
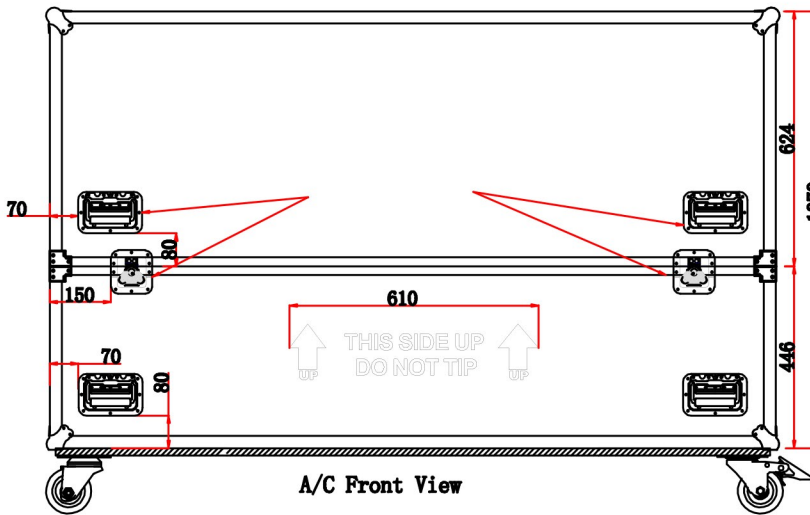


# PRODJUSER

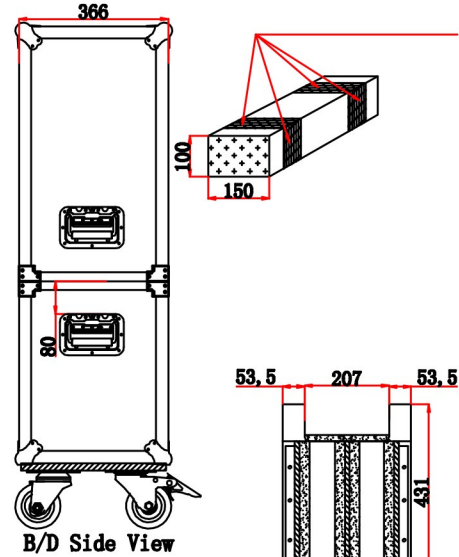
## LCD6065 mk2



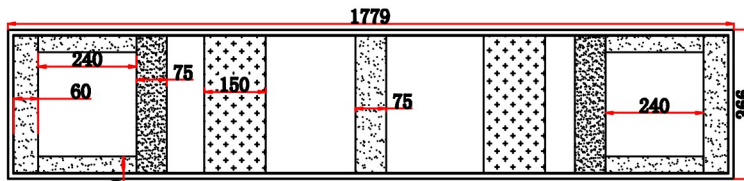
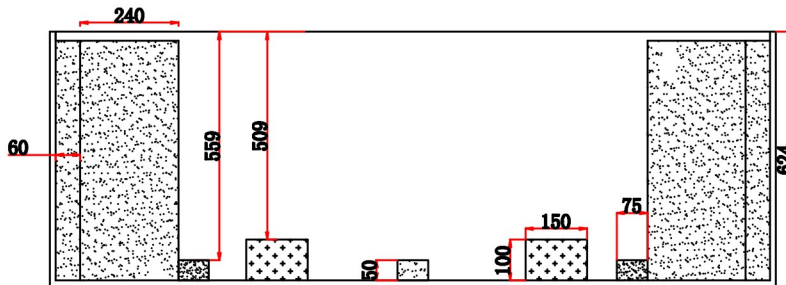
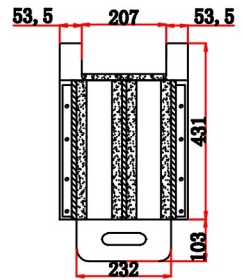
E Top View



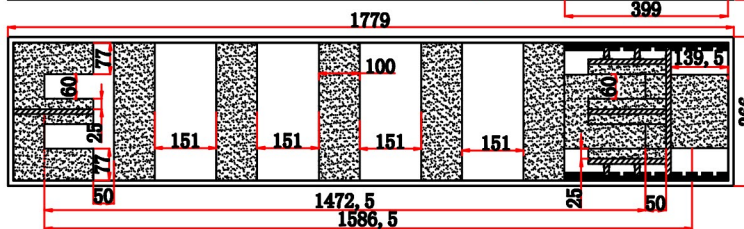
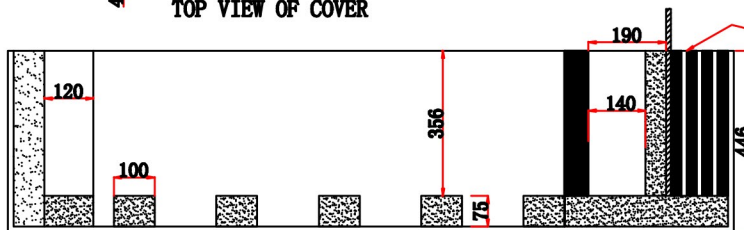
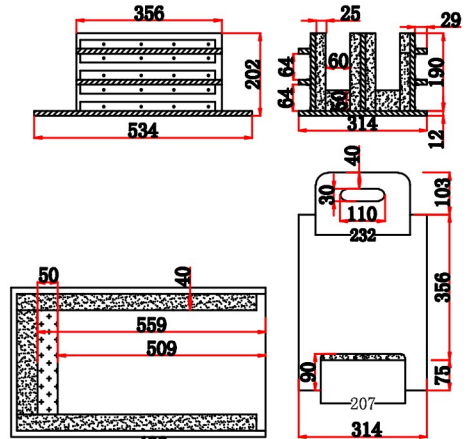
A/C Front View



B/D Side View



TOP VIEW OF COVER



TOP VIEW OF BASE

