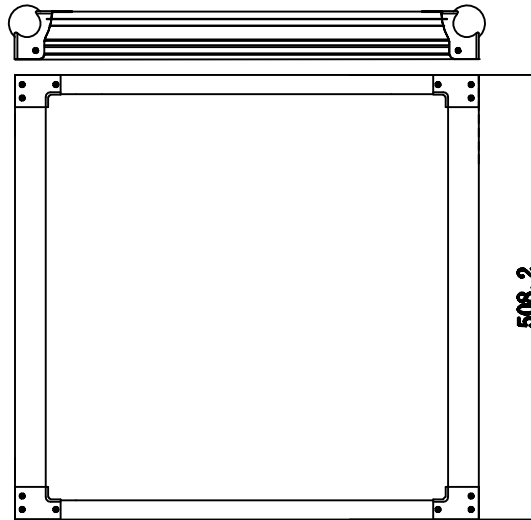
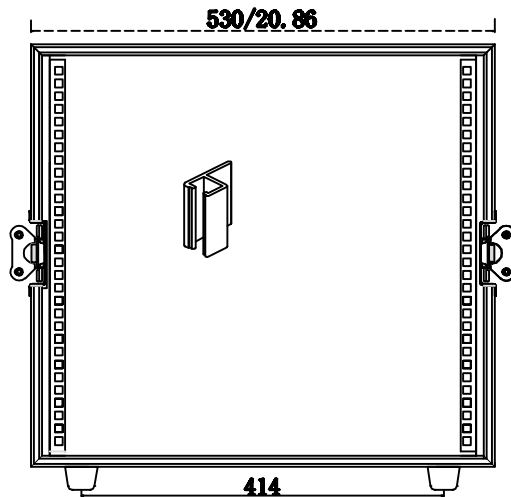


PRODJUSER

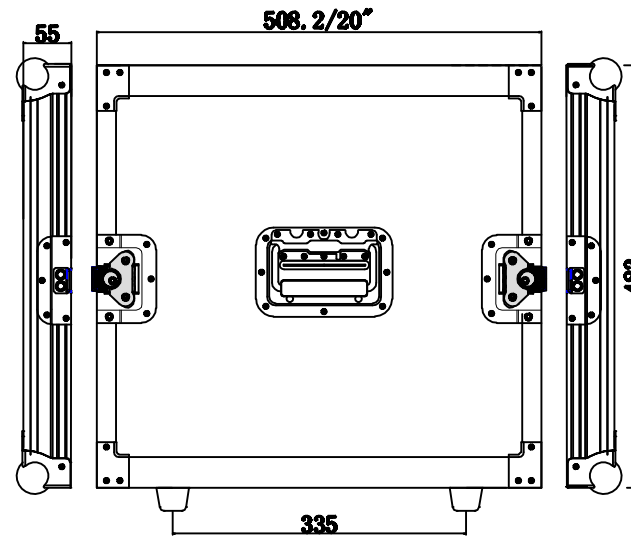
FLI 10-20-RS



Top View



Front View



Side View