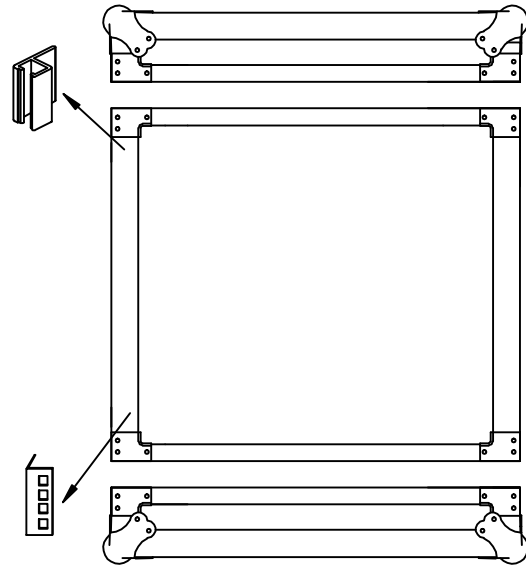
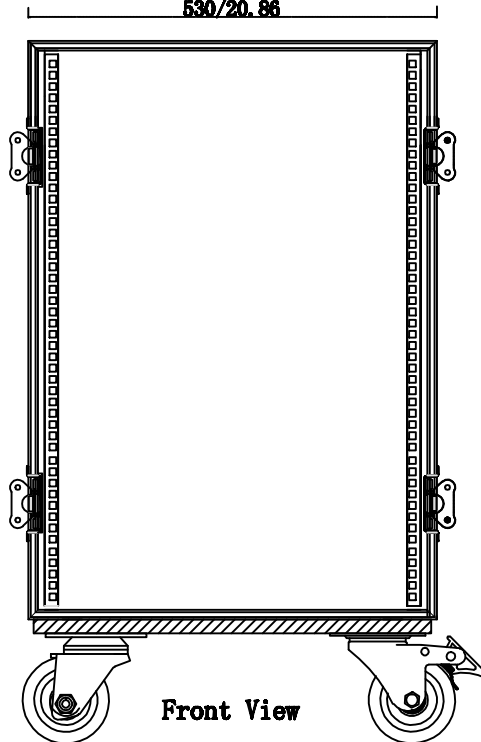


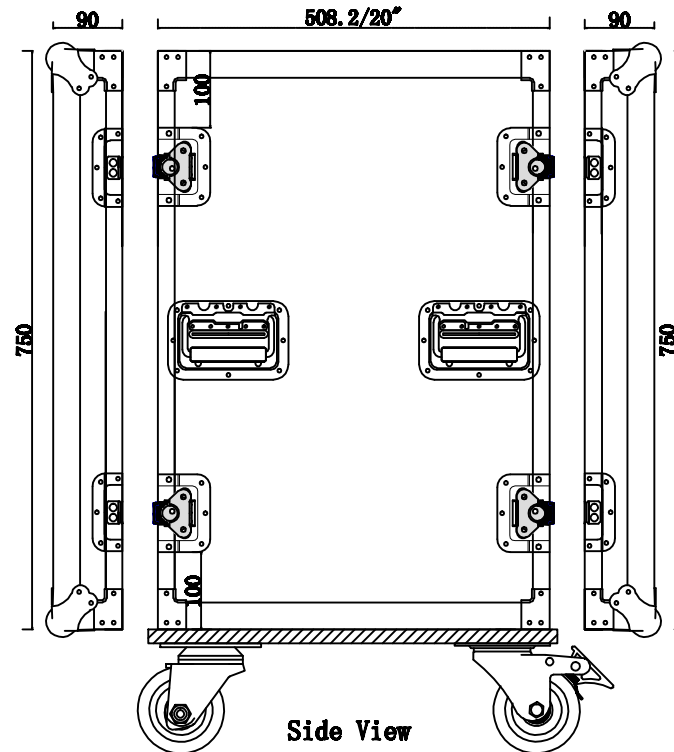
# FLI16-20



**Top View**  
530/20.86



**Front View**



**Side View**