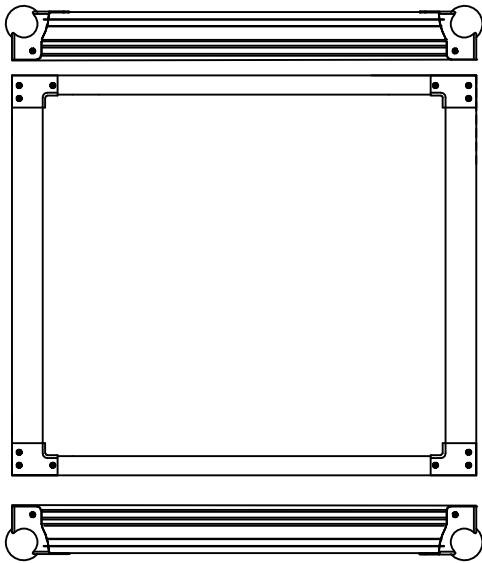
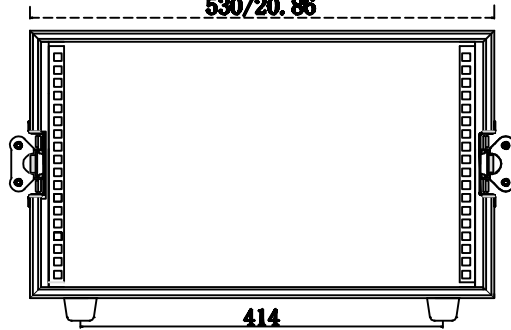


PRODJUSER

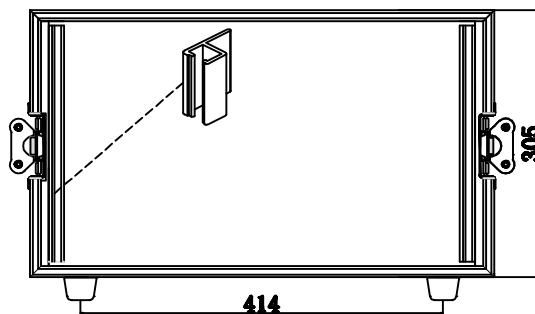
FLI 6-18 RS



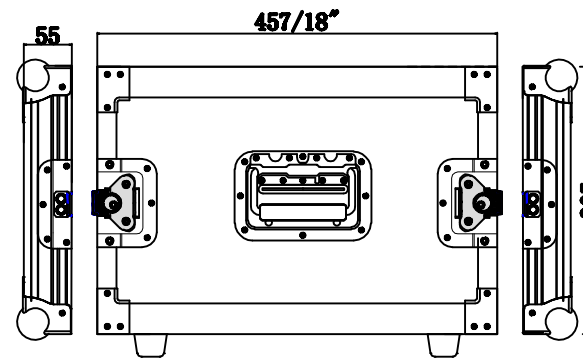
Top View
530/20.86



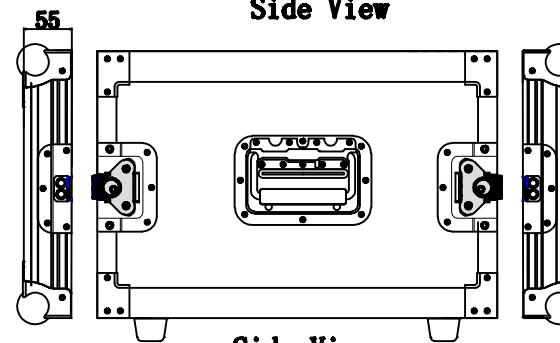
Front View



Back View



Side View



Side View