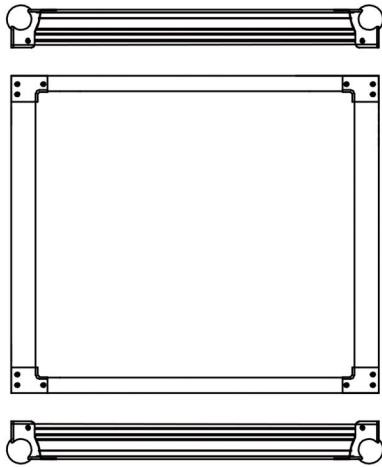
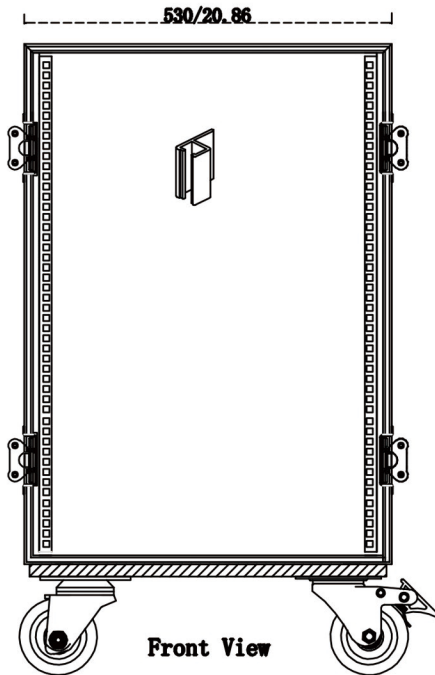


PRODJUSER

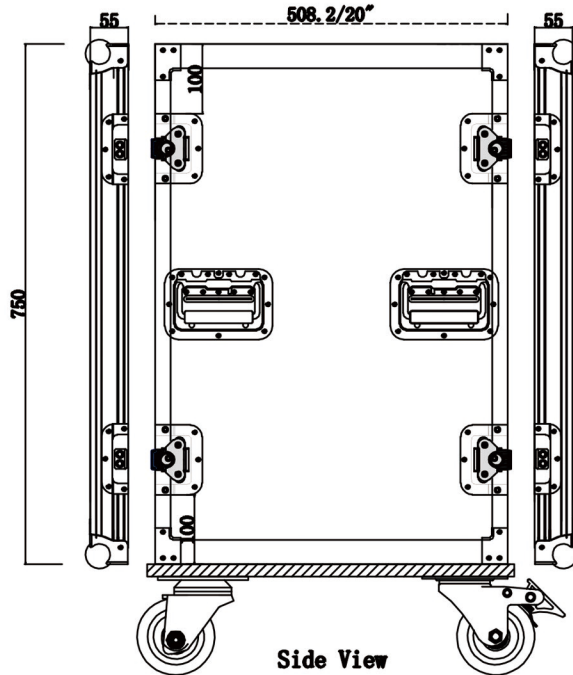
FLI16-20 RS



Top View



Front View



Side View