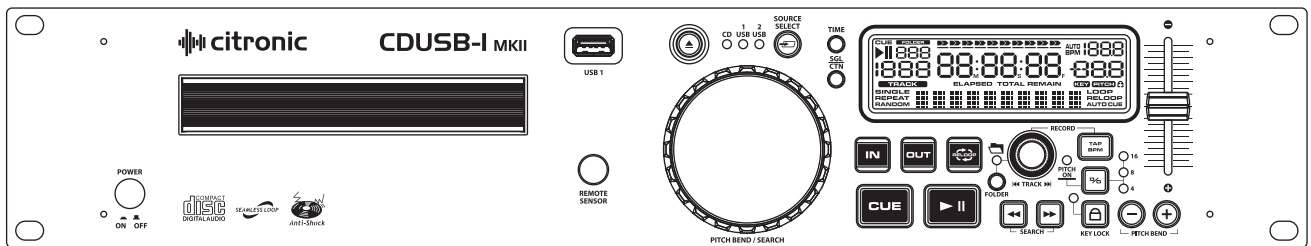


---

# citronic

## CDUSB-I MKII



# OWNERS MANUAL

Version 1.0

---

---

## Safety information

1. Read these instructions.
2. Keep these instructions.
3. Heed all warnings.
4. Follow all instructions.
5. Do not use this item near moisture.
6. Clean only with dry cloth.
7. Do not block any of the ventilation openings. Install in accordance with the manufacture's instructions.
8. Do not install near any heat sources such as radiators, stoves or other items (including amplifiers) that produce heat.
9. Do not defeat the safety purpose of the polarised plug. The wide blade is provided for your safety. If the provided plug does not fit into the item or the mains socket, consult an electrician for replacement.
10. Protect the power cord from being walked on or pinched particularly at plug, convenience receptacles, and point where they exit from the item.
11. Only use attachments/accessories specified by the manufacturer.
12. Use only with a stand, tripod, bracket or table suitable for support.
13. Unplug this item during lightning storms or when unused for long periods of time.
14. Refer all servicing to qualified service personnel. Servicing is required when the item has been damaged in any way, such as power supply cord or plug is damaged, liquid has been spilled or objects have fallen onto the item, the item has been exposed to rain or moisture, does not operate normally, or has been dropped (Note: Accidental or cosmetic damage is not covered by the items 12 month warranty)
15. Please keep the unit in a safe environment.
16. Do not store anything on top of the item



**CAUTION**  
DO NOT OPEN  
RISK OF ELECTRIC SHOCK



**CAUTION:** To reduce the risk of electric shock, do not remove any cover. No user-serviceable parts inside. Refer servicing to qualified service personnel only.



The lightning flash with arrowhead symbol within the equilateral triangle is intended to alert the user to the presence of un-insulated "dangerous voltage" within the product's enclosure that may be of sufficient magnitude to constitute a risk of electric shock.



The exclamation point within the equilateral triangle is intended to alert the user to the presence of important operation and maintenance (servicing) instructions in the literature accompanying this appliance.

---

---

# CITRONIC CDUSB-1

## Main Features:

- 1 x USB front and 1 x USB rear inputs which can be read by both players simultaneously
- Single front load CD player with 20 seconds anti-shock protection
- MP3/WAV compatible from CD or USB (ID3 tags)
- IR Remote control operation
- Auto Cue
- Single/Continuous playback
- +10 Track skip search
- Pitch control and pitch display
- High quality easy read LCD display
- Easy-to-use folder and file search
- Jog wheel for frame search
- Selectable elapsed, remain and total remain time display
- Seamless loop with fine tune adjustment
- Instant start (sound is produced immediately when the play button is pressed)
- Pitch controlled  $\pm 4, 8, 16\%$ ,  $\pm 100\%$  (CDDA)
- Pitch lock function
- Auto/Manual tap BPM
- 19" rack mountable

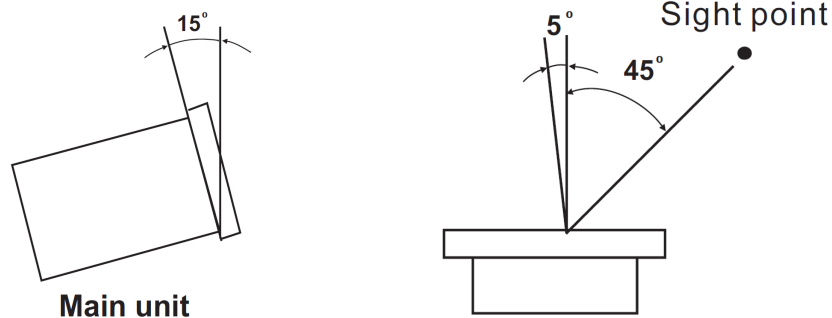
## Accessories

- 1 x UK power cable
  - 1 x EU power cable
  - 1 x Remote control
  - 1 x Instruction manual
-

---

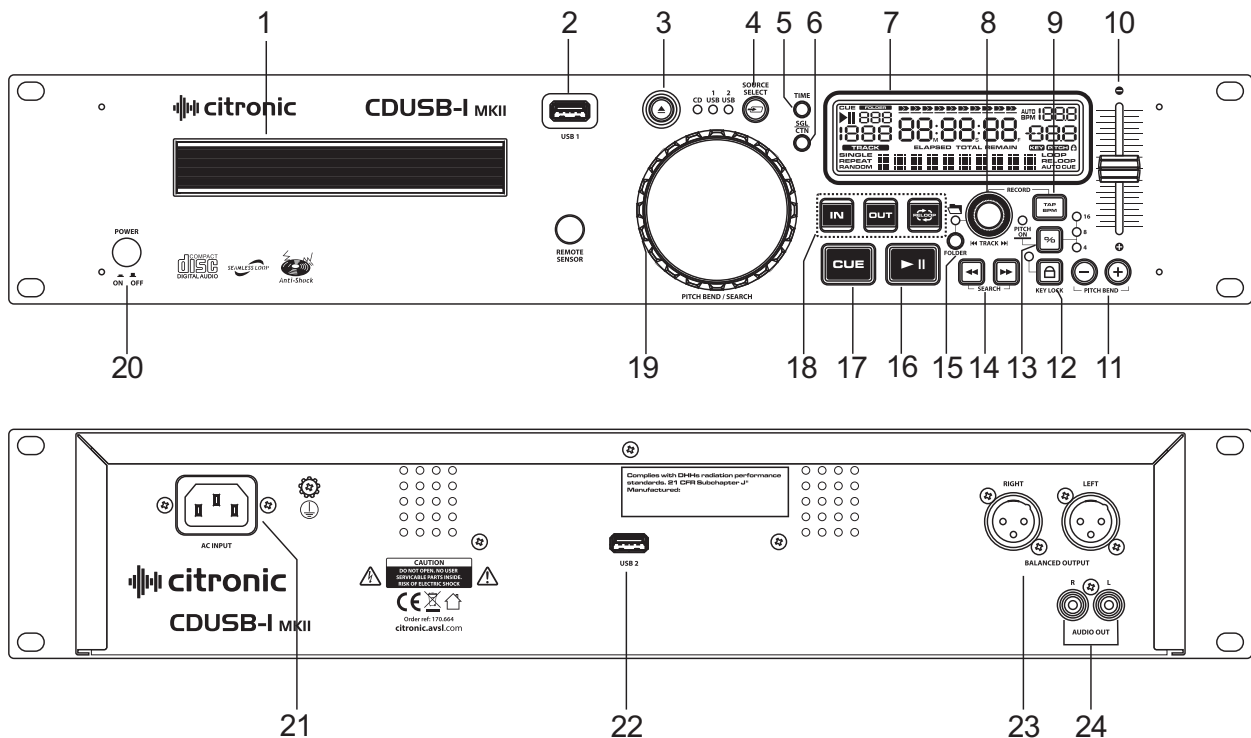
## General Checks and Advice

- 1) Before switching off the power ensure there is no CD in the draw, the disc tray is fully closed and the LCD display reads "NO DISC".
- 2) Installation
  - Place the unit on a flat surface or mount in a secure rack case.
  - The CD unit will work normally when it is mounted when the front panel is within  $15^\circ$  of the vertical plane. If tilted excessively discs may not be loaded properly. Also ensure the head unit at a similar to the one shown below for the best visual results.



- Be sure the player is mounted in a well ventilated area and is not exposed to direct sunlight, high temperatures or high humidity.
  - Keep the unit as far away as possible from TVs and tuners as the unit may cause undesirable interference to these devices.
- 3) Compact Discs
    - DO NOT allow fingerprints, oil or dust to get on to the surface of the disc.
    - If the disc is dirty, wipe it clean with a soft dry cloth.
    - DO NOT use benzene, white spirit, electrostatic-proof chemical or silicone-treated cloths to clean discs.
    - Always handle discs carefully to prevent damaging the surface; in particular when removing a disc from its case or returning it.
    - DO NOT bend the disc.
    - DO NOT enlarge the hole in the centre of the disc.
    - DO NOT write on the printed side of the disc with hard tipped implements such as a pencil or ball point pen as it could effect playback.
    - Condensation will form if a disc is brought in to a warm area from a colder one.
    - DO NOT attempt to dry the disc with a hair dryer etc.
-

# General Functions and Controls

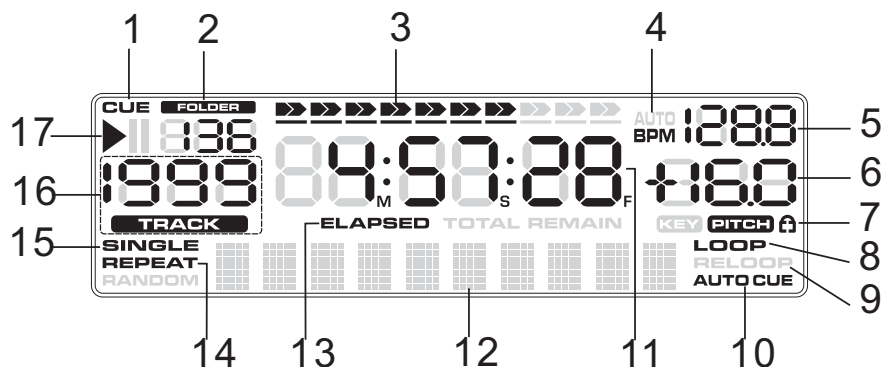


1. **DISC TRAY** – This tray is used to load and unload a compact disc into the drive mechanism. The tray is opened and closed by pressing the OPEN/CLOSE BUTTON. Never attempt to force the disc tray open or close when the power is turned off.
2. **USB PORT 1 (FRONT)** – Insert a USB mass storage device for playing MP3 files.
3. **OPEN/CLOSE (Transport Tray Open / Close)** – This button is used to open and close the disc tray. NOTE: When a disc is loaded, the tray will not open unless the unit is in PAUSE or CUE mode.
4. **SOURCE SELECT BUTTON** – This button lets you toggle between the CD tray and USB port 1 and 2. The selection is indicated by LEDs.
5. **TIME BUTTON** - The button will switch the time value described in the TIME METER between ELAPSED playing time, TRACK remaining time and TOTAL remaining time.
6. **SGL/CTN BUTTON** - This function allows you to choose between single track play or continuous track play (all tracks in order with no pause between). This function also operates in RELAY mode. With this button you can switch auto cue on and off, by holding the button down for 2 seconds.
7. **LCD DISPLAY** – The high quality LCD display gives a clear indication of all the functions as they occur (see LCD display section for more details).
8. **TRACK / FOLDER KNOB** - This knob has four functions:
  - a. You can use it to select the next or previous track/folder by turning the knob forwards or backwards.
  - b. Holding down and turning the knob forwards or backwards will rapidly skip through the tracks/folders on your CD/USB by 10 tracks per click.
  - c. Press track knob to read the ID3 tags on the file name. Switch between: File name / Title name / Artist / Bit rate on the LCD display.
  - d. Hold this knob and press Tap BPM button to start or stop RECORD function. When recording the LED will flash which recording device is activated.

- 
9. **TAP BUTTON** - This button is used for manual BPM. When in manual BPM mode, tap this button to the beat of the current track.
  10. **PITCH SLIDER** - This slider is used to adjust the playback pitch percentage. Move the slider down to speed up the music and move the slider up to slow the music down.
  11. **PITCH BEND BUTTONS** - The speed rises while the "+button" is pressed and returns to the original pitch when the button is released. The speed drops when the "-button" is pressed and returns to the original pitch when the button is released. These buttons can be used to synchronise the beats of 2 tracks.
  12. **PITCH (KEY) LOCK BUTTON** - This button turns on or turns off the PITCH LOCK function. This function allows you to use the PITCH SLIDER to speed up or slow down playback speed without altering the tonal pitch of the track.
  13. **PITCH RANGE BUTTON** - Press the button to choose pitch percentage adjustment.  $\pm 4\%$ ,  $\pm 8\%$ ,  $\pm 16\%$ , and  $\pm 100\%$ . (Note: 100% does not work with MP3 music)
  14. **SEARCH BUTTONS** - These search buttons allow you to quickly scan forwards and backwards through the track. The search speed will actively change depending on how long you hold down the button.
  15. **FOLDER BUTTON** - Use the FOLDER button to switch between FOLDER and TRACK (see search options above - 8. "TRACK KNOB" When the LED is lit the player is in FOLDER search mode when it is not lit it is in TRACK search mode.  
Hold the FOLDER button down for 2 seconds to activate REPEAT function
    - a. **REPEAT on: In continuous mode**, all the tracks in the current folder will play track by track until the repeat function is inactive.  
**In single mode**, the current track will repeat play until the repeat function is inactive.
    - b. **REPEAT off**: all the tracks in the USB device will play in the normal mode.
  16. **PLAY/PAUSE BUTTON** - Pressing the PLAY/PAUSE button once will instantly start the track. Pressing this button again will PAUSE the current track.
  17. **CUE BUTTON** - Can be used in a number of ways:
    - a. Pressing the CUE button during playback immediately stops the current track and returns the music to the last set cue point.
    - b. In pause mode pressing and holding the CUE button plays the track from the last set CUE point. Releasing CUE button will return the track to the last set CUE point.
    - c. Pressing and holding the Cue will start the track. If PLAY/PAUSE button is pressed during this time the track will continue to play when CUE button is released.
  18. **SEAMLESS LOOP BUTTONS:**
    - a. **IN BUTTON** - Pressing the IN button sets a CUE POINT without music interruption. This button is also used to set the starting point of a SEAMLESS LOOP.
    - b. **OUT BUTTON** - This button is used to set the ending point of a LOOP. A LOOP is started by pressing the IN button to select the starting point and the OUT button to set the LOOP ending point. The LOOP will continue to play until the OUT button is pressed once again.
    - c. **RELOOP BUTTON** - If a SEAMLESS LOOP has been made, but the player is not actively in SEAMLESS LOOP mode.
      - i. Pressing the RELOOP button will instantly reactivate the seamless loop mode. To exit loop, press the OUT button. LOOP will appear in the LCD display when the RELOOP function is available.
      - ii. You can fine tune the SEAMLESS LOOP by holding the RELOOP button and using the jog wheel to set the exact OUT point.
-

19. **JOG WHEEL** – The JOG WHEEL can be used to pitch bend during playback and be used to frame search in pause mode.
20. **POWER SWITCH** - This switch is used to control the unit's main power.
21. **POWER CONNECTOR** - This is the main power connection. Only use the supplied power cord. Use of any other power connections may result in severe damages to the unit.
22. **USB PORT 2 (REAR)** – A secondary port to insert your USB mass storage device for playing MP3 files.
23. **AUDIO OUT R & L BALANCED XLR** - These XLR connectors send audio left and right analog mono output signal. Use these jacks to send a balanced signal to a mixer or amplifier.
24. **AUDIO OUT R & L RCA** - These jacks send a left and right analog mono output signal. Use these jacks to send standard audio to a mixer or receiver. The red colored jack represents the right channel output and white jack represents the left channels output.

## LCD Display

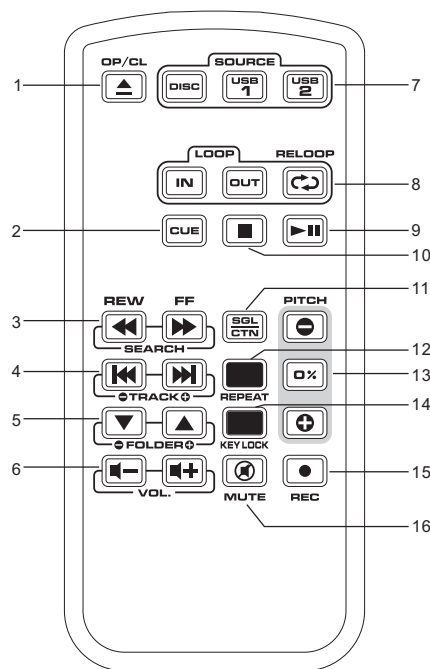


1. **CUE** - This indicator will glow when the device is in CUE mode. It will flash every time a new CUE point is set.
2. **FOLDER INDICATOR** – Indicates the current folder number selected.
3. **TIME BAR INDICATOR** – The flashing bar shows either the elapsed time or remaining time of the track. The bar will begin to flash when the track is about to end.
4. **BPM STATUS** – This will indicate if the AUTO BPM counter is active.
5. **BPM METER** – Show the BPM value of the currently playing track.
6. **PITCH METER** – Shows the percentage of the track's pitch.
7. **PITCH LOCK SYMBOL** – When highlighted the PITCH LOCK button is active.
8. **LOOP INDICATOR** – Indicates if a loop has been set and can be activated by pressing the RELOOP button.
9. **RELOOP INDICATOR** – Indicates if LOOP is active.

- 
- 10. AUTO CUE STATUS** – Indicates if AUTO CUE is activated ("AUTO CUE"). Press and hold SGL/CTN at least 1 second to turn the AUTO CUE function on and off.
  - 11. TIME DISPLAY** – Indicates the time of the chosen time mode in either minutes, seconds and frames.
  - 12. MP3 INFORMATION INDICATOR** – Indicates the current name of the folder and the sampling rate.
  - 13. TIME MODE** – Indicates the elapsed time of a track playing ("ELAPSED"), the remaining time of a track ("REMAIN") or the remaining time of the entire disc ("TOTAL REMAIN"). Change between these modes with the Time button.
  - 14. REPEAT INDICATOR** – Indicates whether the unit is in repeat play mode.
  - 15. SINGLE INDICATOR** – Indicates whether the play mode is set to single ("SINGLE") or continuous mode (no display).
  - 16. TRACK INDICATOR** – Indicates the number of the currently playing track.
  - 17. PLAY/PAUSE INDICATOR** – Indicates the device play mode ("▶") or if the player is in pause mode ("||")
-



## Remote Control:



1. **OPEN/CLOSE** – Used to open and close the disc tray.
2. **CUE** – Used to instantly return to the last set CUE POINT.
3. **SEARCH BUTTONS** – Used to quickly scan backward & forward through a track.
4. **TRACK BUTTONS** – Used to scan backwards & forward between tracks.
5. **FOLDER BUTTONS** – Used to scan backward & forward between folders on a USB device to find the desired folder.
6. **VOLUME CONTROL BUTTONS** – Used to adjust the volume of the integrated amplifier.
7. **SOURCE SELECT** – Used to toggle between input sources; CD, USB 1 or USB 2
8. **SEAMLESS LOOP BUTTONS** – Used to set a loop and reactivate the LOOP mode.
  - a. **IN** – Set the CUE point
  - b. **OUT** – Set the out point or exit loop
  - c. **RELOOP** – Press to re activate the loop
9. **PLAY/PAUSE** – Used to cause the operation to change from play to pause or from pause to play.
10. **STOP** – Used to stop playback.
11. **SGL/CTN** – Used to change the play mode between Single and Continuous.
12. **REPEAT** – Used to activate/deactivate repeat mode.
13. **PITCH BUTTONS** – Used to adjust the playback pitch percentage when the PITCH function is activated.
14. **KEY LOCK** – Used to activate/deactivate key lock mode.
15. **RECORD** – Used to activate/deactivate record mode.
16. **MUTE** – Used to activate/deactivate the mute function.

---

# Internal Menu

Hold TIME BUTTON for 3 seconds to enter the internal menu.

Turn TRACK KNOB to scroll through the different menus and press the TRACK KNOB to enter the corresponding submenu.

Turn TRACK KNOB to change the submenus and press TIME BUTTON to memorise your settings in any operating mode and exit the menu.

1. **Playlist** – Normal / Title/ Artist / Album/ Genre
2. **Sleep Time** – No sleep, 5~120 min
3. **Line Setup** – MODE= 1~3(Line mode)  
Dis=0.5~12.0 sec. (LINE NAME start/stop time adjustment)  
Run=50~2000 msec. (LINE NAME move time adjustment)
4. **Bit rate** – Display ON/OFF
5. **REC. USB** – Select the recording device between USB1 and USB2.  
The default setting is USB1.
6. **REC. Bitrate** – Select the REC. Bitrate between 32000,40000,48000,56000,64000,80000, 96000,112000,128000(defaults),160000,192000,224000,256000,320000
7. **Version** – CON:XX (Control version)  
DSP:XX (DSP version)  
SER:XX (Servo version)
8. **Load Default** – Press TRACK Knob to enter load defaults. (LCD displays "Load OK".)
9. **Exit & Save** – Exit & Save setting to next power on (LCD displays "Saving".) Press the TRACK knob to fast exit & save in any operating mode.

## NOTE:

- **SLEEP TIME:** The CD player automatically shuts off the transport and laser after about 15 minutes when in pause or cue mode). This extends the life of your motor drive and laser. During sleep mode the display shows the word "SLEEP". To wake up the player, just press the cue or play button, the display turns to normal and is ready to receive instructions. You can enter the Sleep Time menu to adjust sleep time, range is 5~120 minutes.
  - **SAVE:** PITCH ON/OFF, PITCH RANGE, SGL/CTN, AUTO CUE, TIME MODE, KEY LOCK, DISPLAY/RUN TIME, BIT RATE, REPEAT MODE, PLAYLIST, SLEEP TIME, LINE SETUP.
  - **DEFAULTS:** PITCH (ON), PITCH RANGE (8%), PLAY MODE(CTN), AUTO CUE(ON), TIME MODE (REMAIN), KEY LOCK(OFF), BIT RATE(Disp. ON), REPEAT MODE (OFF), PLAYLIST (NORMAL), SLEEP TIME (15 min), LINE SETUP(model 1), DISPLAY(1 sec),RUN TIME(150msec)
-

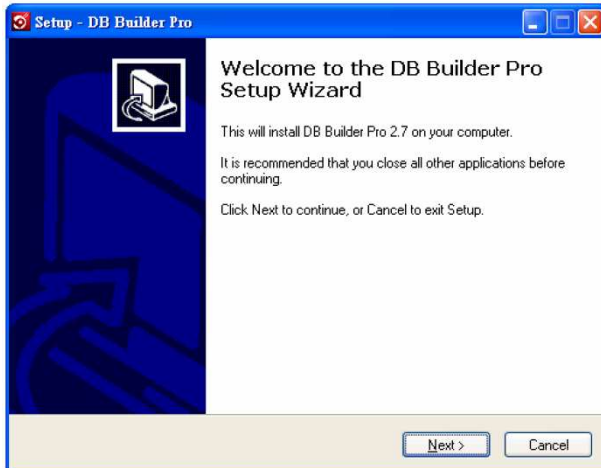
# Data Management

## DATABASE BUILDER:

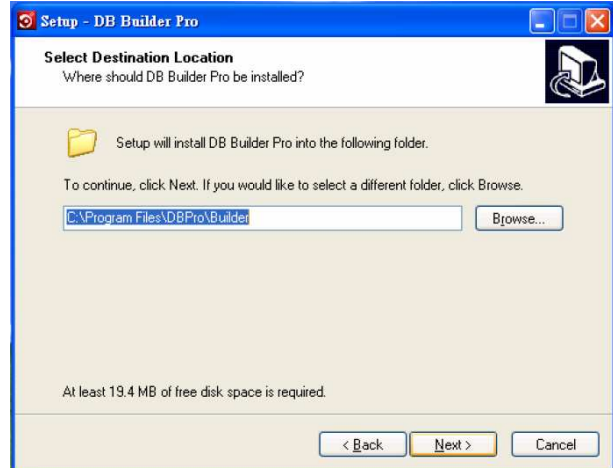
Database management software for the CDUSB-1 enables you to search for your files by Title, Artist, Album and Genre.

**Installation:** Refer to the following figures for installing database management software on your computer.

Download available at [www.citronic.com](http://www.citronic.com)



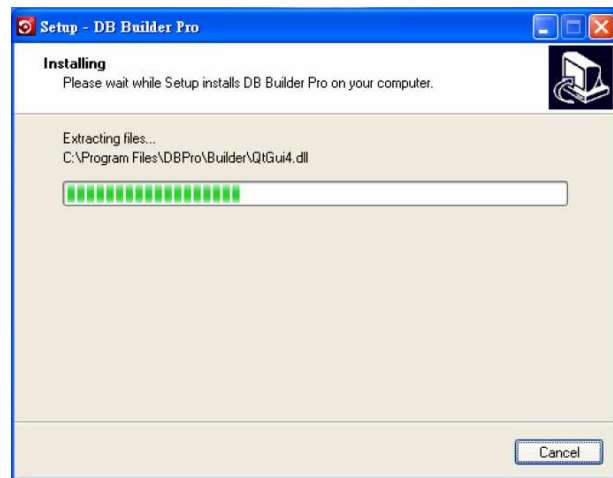
STEP 1: Click next >



STEP 2: Click next >



STEP 3: Click Install



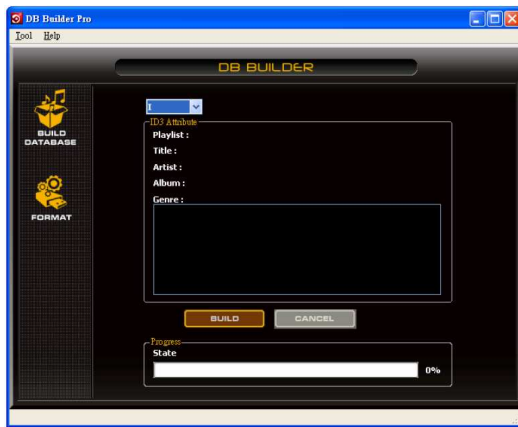
STEP 4: Processing



STEP 5: Click finish

The database builder will scan the music on your USB device and create files which can be read by the CDUSB-1. You can then easily search for the songs you want alphabetically by; song title, album title, artist name, genre etc without having to rearrange your folders.

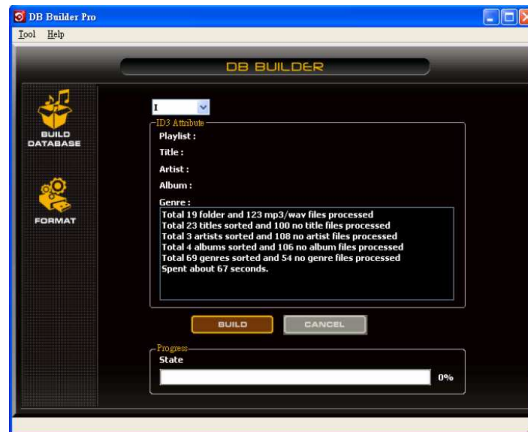
**Scan and create:** Refer to the following figures to process scanning and creating database.  
NOTE: For Vista users please right click the icon and select "RUN AS ADMINISTRATOR"



STEP 1: Select the desired USB hard drive and click build



STEP 2: Processing



STEP 3: Complete

NOTE: Please re-create the database builder whenever you change the contents of your USB device.

### PLAYLIST OPERATION:

1. Hold the TIME button down for 3 seconds to enter the internal menu and turn TRACK knob to search PLAYLIST.
2. Turn the Track knob to select "Normal/ Title/ Artist/ Album/ Genre" (for USB only). And press the Time button again to memorize your setting and exit the menu.

### Use FOLDER button to switch to Folder mode, EG: to select "Artist"

1. Hold and turn the TRACK knob, or hold the TRACK knob and turn outer jog wheel, you can select the folder you like by first letter of Artist, and the Artist alphabet is arranged in order( A, B, C....in order)
2. Turn the TRACK knob or hold the TRACK knob and turn inner Jog wheel to select next "Artist".

### Use FOLDER button to switch to Track mode.

Turn the TRACK knob or hold the TRACK knob and turn Jog wheel to select the desired track.

# Specification

## 1. GENERAL SECTION

PRODUCT	CDUSB-1MKII
POWER SOURCE	AC100 - 240V, 50/60Hz
POWER CONSUMPTION	13W
DIMENSIONS	482mm (W) X 270.5mm (D) X 88.8 mm (H)
WEIGHT:	Main Unit: 4.1 Kg

## 2. AUDIO CHARACTERISTICS

**(CD TEST DISC: TCD-782 & TCD-781; USB TEST FORMAT: MP3, 128KBPS; LOAD=100KΩ)**

ITEM	TYPICAL	LIMIT	CONDITION
<b>(1) OUTPUT LEVEL</b>			
CD:	2V +/-0.5dB	2V +/-1dB	1KHz, 0dB (TCD782,TRK2)
USB:	2V +/-0.5dB	2V +/-1dB	1KHz, 0dB (TCD782,TRK2)
<b>(2) CHANNEL BALANCE</b>			
	WITHIN 0.2dB	WITHIN 1dB	1KHz, 0dB (TCD782,TRK2)
<b>(3) FREQUENCY RESPONSE</b>			
CD:	17-20KHz +/-0.4dB	17-20KHz +/-1dB	0dB OUTPUT (TCD782,TRK2/3/7)
USB:	17-16KHz +/-0.2dB	17-16KHz +/-1dB	0dB OUTPUT (TCD781,TRK1/4/16)
<b>(4) DE-EMPHASIS</b>			
CD:	-20dB +/-0.2dB	-20dB +/-1dB	16KHz,-20dB (TCD782,TRK2/14)
<b>(5) CHANNEL SEPARATION( x 2)</b>			
CD, USB:	93dB	85dB	1KHz, 0dB (TCD782,TRK2/9/11)
<b>(6) THD+N ( x 1)</b>			
CD:	0.008%	0.015%	1KHz, 0dB (TCD782,TRK2)
USB:	0.007%	0.015%	1KHz, 0dB (TCD782,TRK2)
<b>(7) S/N ( x 2)</b>			
CD:	126dB	90dB	1KHz, 0dB (TCD782,TRK2/8)
USB:	85dB	80dB	1KHz, 0dB (TCD782,TRK2/8)
<b>(8) DYNAMIC RANGE ( x 2)</b>			
CD:	92dB	88dB	1KHz, -60dB (TCD782,TRK18)
<b>(9) XLR OUTPUT LEVEL ( x 2)</b>	8.22dB (2V) ±0.5dB	8.22dB (2V) ±1dB	1KHz, 0dB (TCD782,TRK2)
NOTE: *1: WITH 20KHz LOW PASS FILTER.			
*2: WITH 20KHz LOW PASS FILTER, "IHF-A" WEIGHTED.			

### 3. CD SEARCHING TIME: (TEST DISC: TCD-792)

ITEM	TYPICAL	LIMIT	CONDITION
(1) SHORT ACCESS TIME	2Sec	4Sec	PLAY NEXT TRACK
(2) LONG ACCESS TIME	4Sec	6Sec	TRACK 1 TO 20,20 TO 1

### 4. CD PLAYABILITY:

ITEM	TYPICAL	LIMIT	CONDITION
(1) INTERRUPTION	1mm	0.7mm	TCD-725
(2) BLACK DOT	1mm	0.6mm	TCD-725
(3) FINGER PRINTS	75um	65um	TCD-725
(4) ECCENTRICITY	140um	140um	TCD-712 W/O TRACK JUMP
(5) VERTICAL DEVIATION	1mm	0.5mm	TCD-731R

### 5. MP3 FORMAT:

Disc Format	Applicable file extensions	mp3. MP3. mP3. Mp3
	ISO9660	Max. 63 characters
	Joliet	Max. 63 characters
	CD-ROM sector format	mode-1 only
	Max. number of Folders	255
	Max. number of files	Max. 999 files (* note #1)
USB Format	File System	FAT 12/16/32
	Applicable file extensions	mp3. MP3. mP3. Mp3
	Max. number of Folders	999
	Max. number of files	Max. 999 files
MP3 Format	MPEG 1 Layer 3 standard (ISO/IEC 11172-3), which provides for single channel ('mono') and two-channel ('stereo') coding at sampling rates of 32, 44.1 and 48kHz.	32/40/48/56/80/96/112/128/160/192/224 /256/320 kbps Xing/VBRI VBR
	MPEG 2 Layer 3 standard (ISO/IEC 13818-3), which provides for similar coding at sampling rates of 16, 22.05 and 24 kHz.	32/40/48/56/64/80/96/112/144/160 Kbps Xing/VBRI VBR
	MPEG 2.5 Layer 3 standard, which provides for similar coding at sampling rates of 8, 11.025 and 12 kHz.	32/40/48/56/64/80/96/112/144/160 Kbps Xing/VBRI VBR
Disc Writing Method	Disc at Once and Track at Once	
	Multi Session	If the 1 <sup>st</sup> session is CDDA, you can playback Only CDDA track, If the 1 <sup>st</sup> session is MP3, you can playback only MP3 file.

Note #1: max.255 files each folder



---

**FOR MORE INFORMATION ON CITRONIC PRODUCTS VISIT**

**[WWW.CITRONIC.COM](http://WWW.CITRONIC.COM)**

---