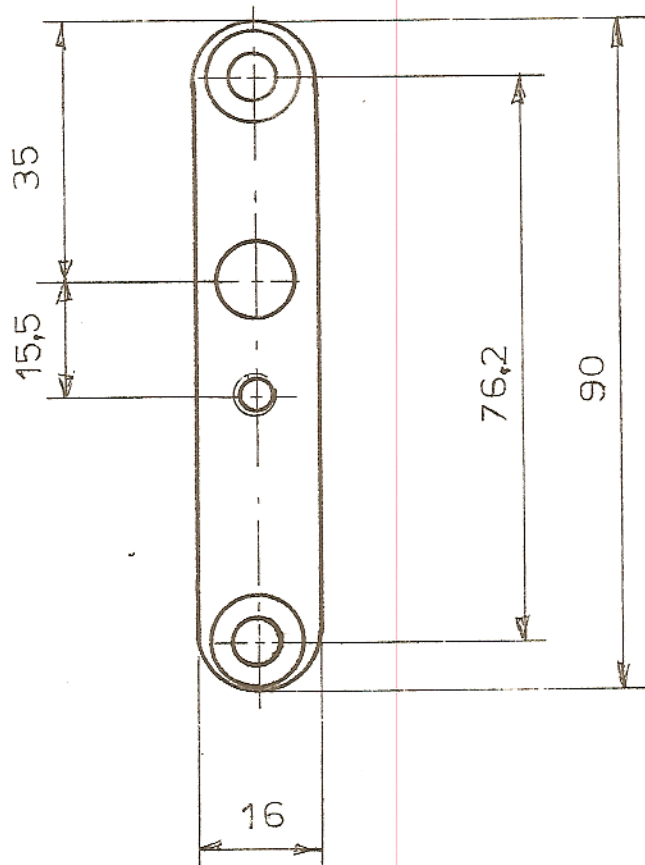
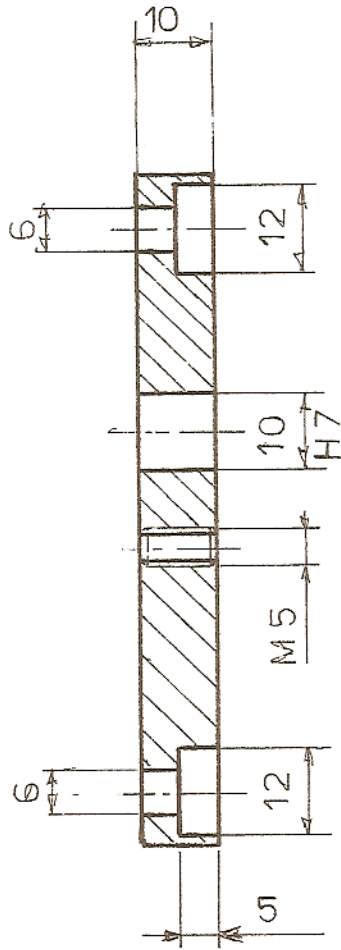
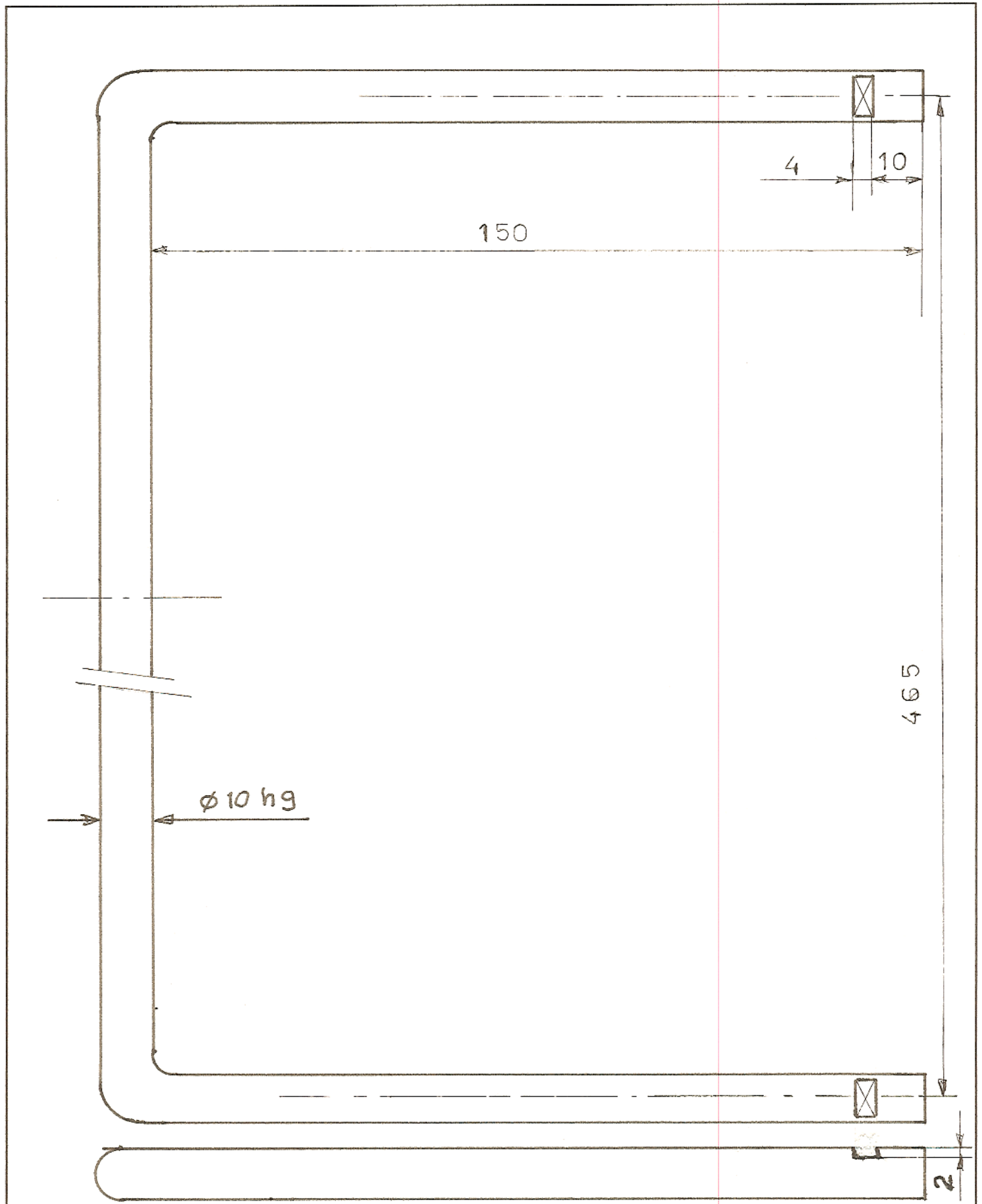


number / product : 2	part of : SECURITY BAR		manufactured by :	
to produce:	scale : 1:1	material : polyacetaal (POM) black	remarks :	
price :	measures : mm	finish :		
American projection	date : april 2002	drawn by : PP		
INTERSTATE AUDIO		Name of part :	number :	size:
Warder Holland		LOCKINGDISC		A 4



number / product : 2	part of :SECURITY BAR		manufactured by :	
to produce:	scale : 1:1	material :parallel key steel DIN 6885 A	remarks :	
price :	measures : mm	finish : black zinc plated		
American projection	date : april 2002	drawn by : PP	number :	
INTERSTATE AUDIO		Name of part :		
Warder Holland		ATTACH KEY	A 4	



number / product : 1	part of :SECURITY BAR		manufactured by :	
to produce:	scale : 1:1	material :steel Ø 10 h 9	remarks :	
price :	measures : mm	finish : black zinc plated		
American projection	date : april 2002	drawn by : PP		
INTERSTATE AUDIO		Name of part :	number :	size:
Warder Holland		BAR		A 4