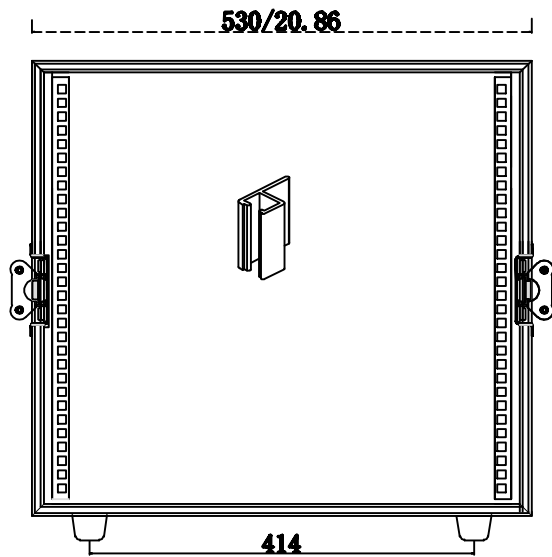
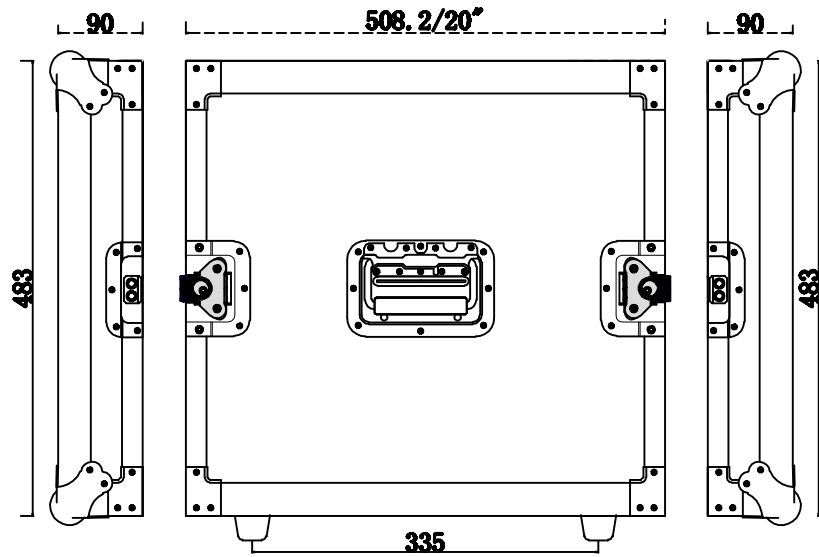


Top View



Front View



Side View

PRODJUSER

FLI10-20