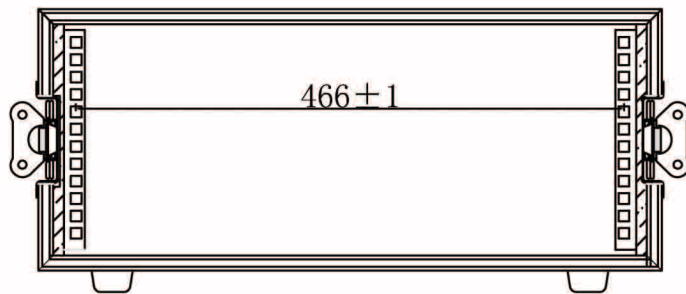
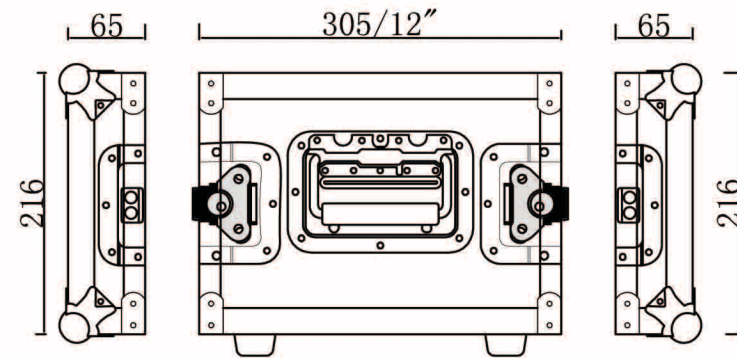


Top View

530/20.66



Front View



Side View

PRODJUSER

FLI-4-12