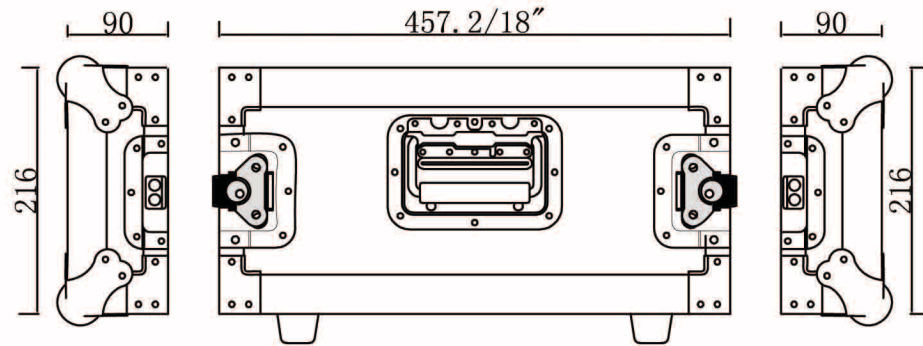
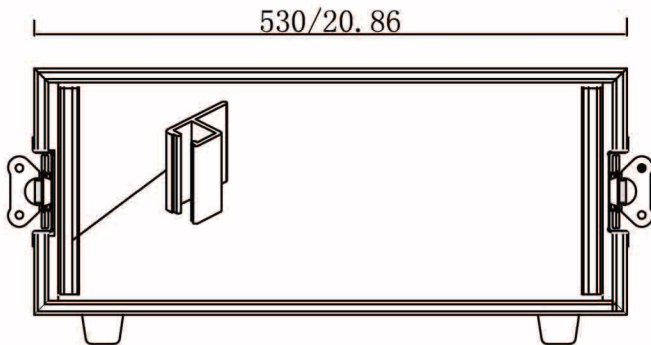


Top View



Side View



Front View

**PRODJUSER**

FLI-4-18